

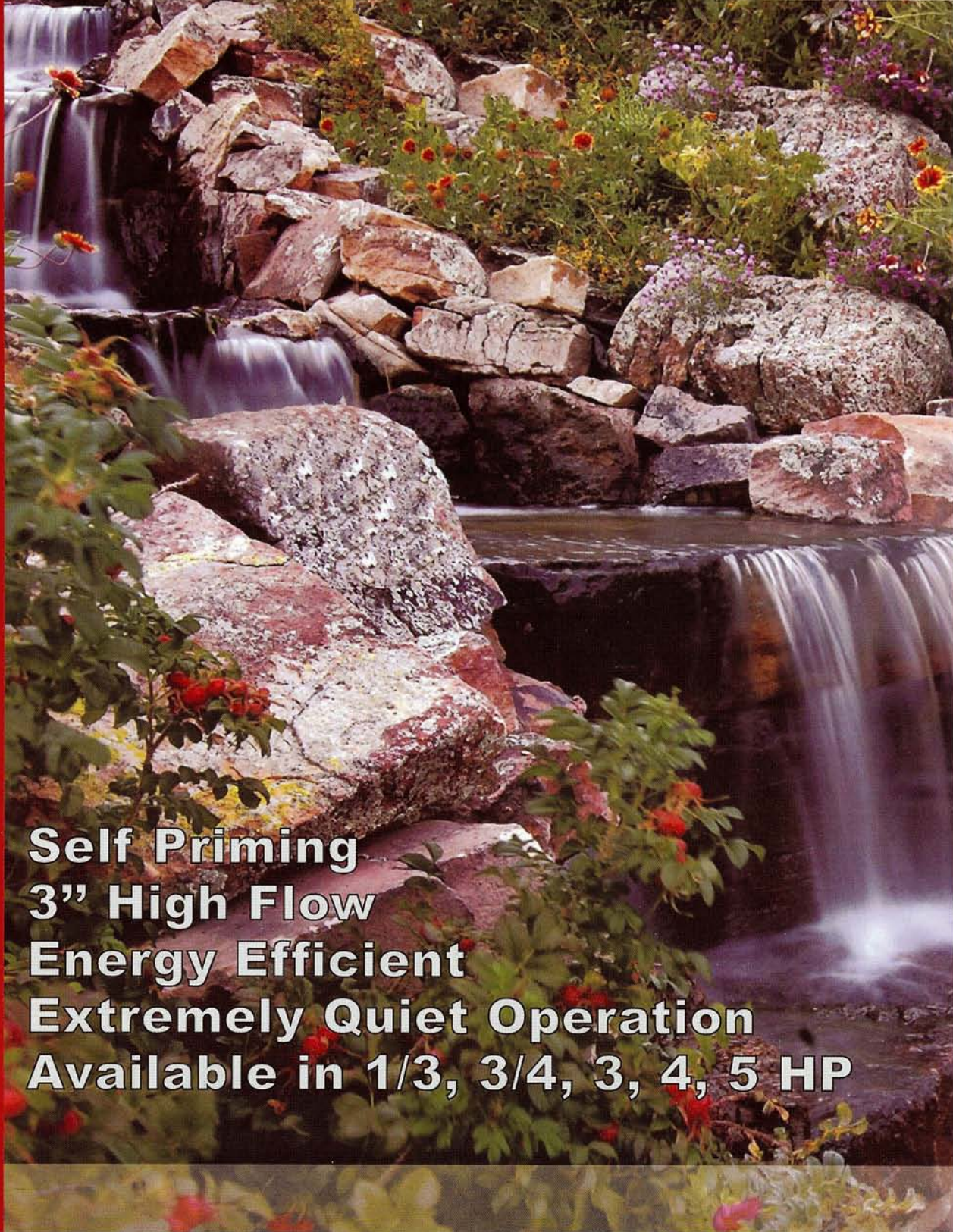


# AQUA

U L T R A V I O L E T

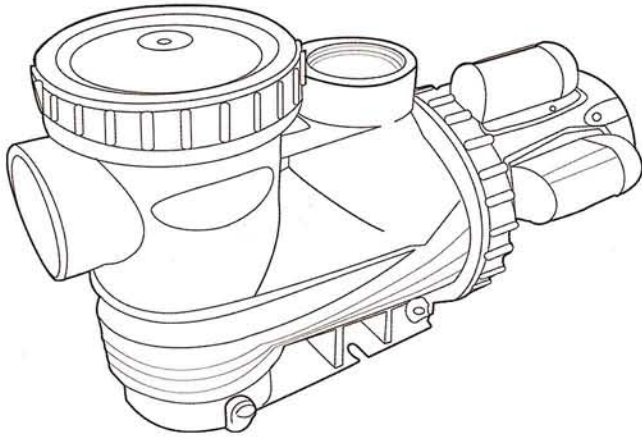


# SUNAMI PUMPS



**Self Priming  
3" High Flow  
Energy Efficient  
Extremely Quiet Operation  
Available in 1/3, 3/4, 3, 4, 5 HP**





Sunami Pumps are the heart of your water circulation system, created as a high performance, low maintenance, cost efficient way of moving water. Sunami high flow, self-priming pumps were designed for flexibility of use in a multitude of applications. Featuring a heavy-duty, corrosion-proof body and internals, a large integrated leaf basket, and a quiet energy efficient motor, the Sunami delivers superior performance, ease of maintenance, and long-term reliability. Planning to expand your water feature? No need to replace your Sunami Pump.

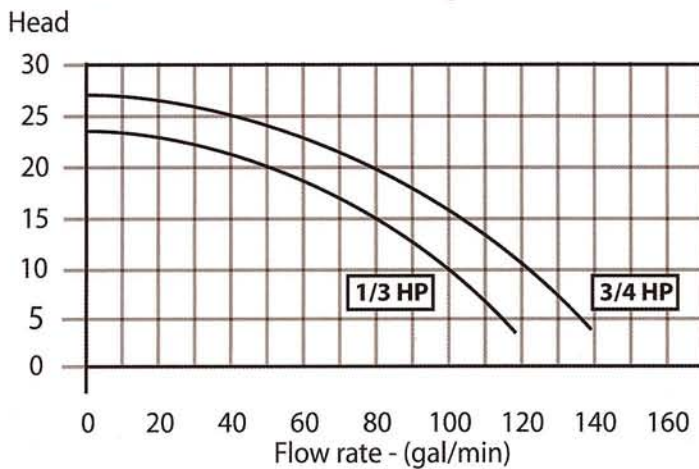
Sunami has the flexibility to grow, using the design smart body, the same housing you purchased will accept from 1/3HP to 5HP motors.

Go with The Leader in the industry,  
***Aqua Ultraviolet... Simply The Best!***

- 1 Year Limited Warranty
- External pump
- Extremely quiet operation
- High efficiency impeller maximizes water flow
- Oversized strainer basket reduces cleaning frequency
- Internal ribs in "Huge" strainer basket assure flow even when filled with debris
- One piece case eliminates bolts and gaskets contributing to quiet operation
- Double Ring-Lok™ design gives "Tool Free" access to strainer basket and pump internals
- 3" Inlet/Outlet with slip male adapters included
- 2" Reducer bushings included with 1/3HP and 3/4HP

Sunami Pump	Full Load Amps 110 Volt	Full Load Amps 230 Volt	GPM/GPH
1/3 HP	4.36		100 GPM / 6,000 GPH
3/4 HP	5.81		120 GPM / 7,200 GPH
3 HP		16.3	183 GPM / 11,000 GPH
4 HP		16.3	194 GPM / 11,640 GPH
5 HP		19.8	275 GPM / 16,500 GPH

**Sunami™ Series Pumps 1/3 - 3/4HP**



**Sunami™ Series Pumps 3, 4, 5HP**

